

SAP Classified Advertising Management Security Guide



Release 700

ADDON.ISMAMC_SECGUIDE



Copyright

© Copyright 2006 SAP AG. All rights reserved.

No part of this publication may be reproduced or transmitted in any form or for any purpose without the express permission of SAP AG. The information contained herein may be changed without prior notice.

Some software products marketed by SAP AG and its distributors contain proprietary software components of other software vendors.

Microsoft, Windows, Outlook, and PowerPoint are registered trademarks of Microsoft Corporation.

IBM, DB2, DB2 Universal Database, OS/2, Parallel Sysplex, MVS/ESA, AIX, S/390, AS/400, OS/390, OS/400, iSeries, pSeries, xSeries, zSeries, z/OS, AFP, Intelligent Miner, WebSphere, Netfinity, Tivoli, Informix, i5/OS, POWER, POWER5, OpenPower and PowerPC are trademarks or registered trademarks of IBM Corporation.

Adobe, the Adobe logo, Acrobat, PostScript, and Reader are either trademarks or registered trademarks of Adobe Systems Incorporated in the United States and/or other countries. Oracle is a registered trademark of Oracle Corporation.

UNIX, X/Open, OSF/1, and Motif are registered trademarks of the Open Group. Citrix, ICA, Program Neighborhood, MetaFrame, WinFrame, VideoFrame, and MultiWin are trademarks or registered trademarks of Citrix Systems, Inc.

HTML, XML, XHTML and W3C are trademarks or registered trademarks of W3C®, World Wide Web Consortium, Massachusetts Institute of Technology.

Java is a registered trademark of Sun Microsystems, Inc.






JavaScript is a registered trademark of Sun Microsystems, Inc., used under license for technology invented and implemented by Netscape.

MaxDB is a trademark of MySQL AB, Sweden.

SAP, R/3, mySAP, mySAP.com, xApps, xApp, SAP NetWeaver, and other SAP products and services mentioned herein as well as their respective logos are trademarks or registered trademarks of SAP AG in Germany and in several other countries all over the world. All other product and service names mentioned are the trademarks of their respective companies. Data contained in this document serves informational purposes only. National product specifications may vary.

These materials are subject to change without notice. These materials are provided by SAP AG and its affiliated companies ("SAP Group") for informational purposes only, without representation or warranty of any kind, and SAP Group shall not be liable for errors or omissions with respect to the materials. The only warranties for SAP Group products and services are those that are set forth in the express warranty statements accompanying such products and services, if any. Nothing herein should be construed as constituting an additional warranty.

Icons in Body Text

Icon	Meaning
	Caution
	Example
	Note
	Recommendation
	Syntax

Additional icons are used in SAP Library documentation to help you identify different types of information at a glance. For more information, see *Help on Help* → *General Information Classes and Information Classes for Business Information Warehouse* on the first page of any version of *SAP Library*.

Typographic Conventions

Type Style	Description
<i>Example text</i>	Words or characters quoted from the screen. These include field names, screen titles, pushbuttons labels, menu names, menu paths, and menu options. Cross-references to other documentation.
Example text	Emphasized words or phrases in body text, graphic titles, and table titles.
EXAMPLE TEXT	Technical names of system objects. These include report names, program names, transaction codes, table names, and key concepts of a programming language when they are surrounded by body text, for example, SELECT and INCLUDE.
Example text	Output on the screen. This includes file and directory names and their paths, messages, names of variables and parameters, source text, and names of installation, upgrade and database tools.
Example text	Exact user entry. These are words or characters that you enter in the system exactly as they appear in the documentation.
<Example text>	Variable user entry. Angle brackets indicate that you replace these words and characters with appropriate entries to make entries in the system.
EXAMPLE TEXT	Keys on the keyboard, for example, F2 or ENTER.

SAP Classified Advertising Management Security Guide	5
Introduction	5
Before You Start	6
Technical System Landscape	7
User Administration and Authentication.....	9
User Administration	10
Integration into Single Sign-On Environments	10
Authorizations	11
Network and Communication Security.....	13
Communication Channel Security.....	14
Data Storage Security.....	15



SAP Classified Advertising Management Security Guide



Introduction

The following guide covers the information that you require to operate the *Inbound Classified Ad Sales* scenario securely.



This guide does not replace the daily operations handbook that SAP recommends customers create for their specific productive operations.

Target Audience

- Technology consultants
- System administrators

This document is not included as part of the Installation Guides, Configuration Guides, Technical Operation Manuals, or Upgrade Guides. Such guides are only relevant for a certain phase of the software life cycle, whereby the Security Guides provide information that is relevant for all life cycle phases.

The Need for Security

With the increasing use of distributed systems and the Internet for managing business data, the demands on security are also on the rise. When using a distributed system, you need to be sure that your data and processes support your business needs without allowing unauthorized access to critical information. User errors, negligence, or attempted manipulation of your system must not result in loss of information or processing time. To assist you in securing your *Inbound Classified Ad Sales* scenario, we provide this Security Guide.

About this Document

The Security Guide provides an overview of the security-relevant information that applies to the *Inbound Classified Ad Sales* scenario.

Overview of the Main Sections

The security guide comprises the following main sections:

- **Before You Start**
This section contains information on how to use this document, and references to other Security Guides that build the foundation for this Security Guide.
- **Technical System Landscape**
This section provides an overview of the technical components and communication paths that are used by the *Inbound Classified Ad Sales* scenario.
- **User Administration and Authentication**
This section provides an overview of the following user administration and authentication aspects:

- Recommended tools to use for user management.
- Overview of integration options in single sign-on environments
- **Authorizations**
This section provides an overview of the authorization concept that is applicable here.
- **Network and Communication Security**
This section provides an overview of the communication paths and the security mechanisms that apply.
- **Data Storage Security**
This section provides an overview of the security mechanisms that can be used when reading data from a file system.



Before You Start

Security Guides Referenced

The component *IS-M/AMC Server* used by the *Inbound Classified Ad Sales* scenario is based on *SAP NetWeaver '04*. This means that the security guide for *SAP NetWeaver '04* is also applicable to the *IS-M/AMC Server component*. *SAP Media (IS-M)*, which is also used, is based on *SAP NetWeaver Application Server 6.20 (SAP NetWeaver AS 6.20)*. This means that the security guide for *SAP NetWeaver '04* is also applicable. The *SAP NetWeaver AS Security Guide - ABAP and Java* and *SAP Content Server Security Guide* sections in this security guide are relevant to this scenario. The *SAP Content Server Security Guide* is relevant to the connected Document Management Service (DMS) in *SAP for Media*. Whenever other guides are relevant, an appropriate reference is included in the documentation for the individual components in this guide.

Security Guides Referenced

Security Guides	Availability
SAP NetWeaver '04 Security Guide	in the <i>SAP Service Marketplace</i> under service.sap.com/securityguide
The following are relevant to the <i>Inbound Classified Ad Sales</i> scenario:	
SAP NetWeaver AS Security Guide - ABAP and Java	in the <i>SAP Service Marketplace</i> under service.sap.com/securityguide → <i>SAP NetWeaver '04 Component Security Guides</i>
SAP Content Server Security Guide	in the <i>SAP Service Marketplace</i> under service.sap.com/securityguide → <i>SAP NetWeaver '04 Component Security Guides</i>

Additional Information

For more information about specific topics, see the Quick Links as shown in the table below.

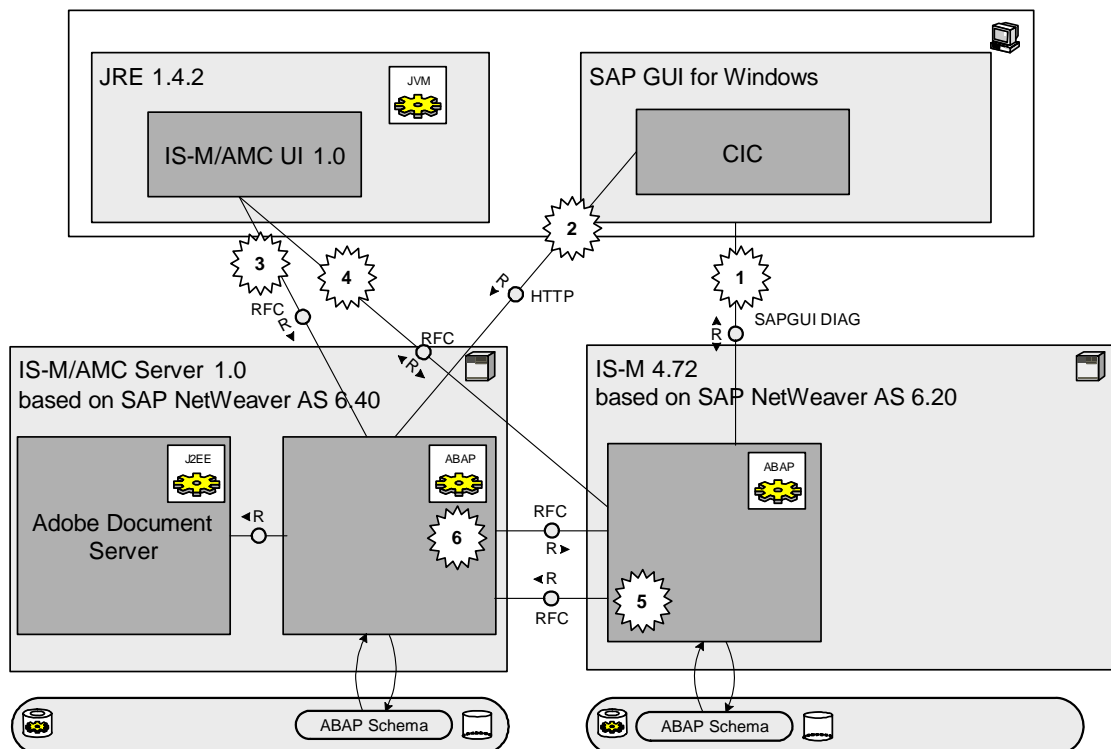
Additional Information

Content	Quick Link to SAP Service Marketplace
Security	service.sap.com/security
Security Guides	service.sap.com/securityguide
Related SAP notes	service.sap.com/notes
Platforms permitted	service.sap.com/platforms
Network security	service.sap.com/network service.sap.com/securityguide
Technical infrastructure	service.sap.com/ti
SAP Solution Manager	service.sap.com/solutionmanager

Technical System Landscape

Use

The figure below shows an overview of the technical system landscape for the *Inbound Classified Ad Sales* scenario.



The following section describes the scenario process flow as shown in the graphic and the technical connections required. The individual connections between Client/Server or Server/Server are numbered 1 to 6 so that the graphic is easier to understand.

- Start this scenario by logging on to *IS-M* using the *SAP GUI for Windows* (**connection 1**, dialog connection, user/password entry).
- Having done this, start the *Customer Interaction Center (CIC)*. This has been configured by making Customizing settings so that an http connection to *IS-M/AMC Server* (**connection 2**, communication user) is used to start the *IS-M/AMC User Interface (IS-M/AMC UI)*, which is recorded as an applet in a business server page application.
- *IS-M/AMC UI* logs on to *IS-M/AMC Server* (connection 3, dialog connection, user/password entry) and *IS-M* (connection 4, communication user).
- **Connection 3** is used to read Customizing data, which is required to start and run *IS-M/AMC UI*. The connection for reading and saving ad content in *IS-M/AMC Server* is also used.
- **Connection 4** is used to receive calls for designing ad content using the *Text Entry/Ad Design* function. This function is part of the technical interface *IS-M/ITA*. For more information, see the PDF document *Technical Interface IS-M/ITA, Integration of Technical Systems*. This is available in the *SAP Help Portal* under sap.help.com → *Documentation* → *SAP for Industries* → *SAP for Media (Release 4.72 German)* → *SAP Media* → *Advertising Management* → *Integration of Technical Systems (German)*.
Connection 4 is also used to insert graphics for the ad content, which are recorded in the connected DMS in *SAP for Media*.
- Communication between *IS-M* and *IS-M/AMC Server* takes place using a remote function call connection (RFC connection) (**connection 5**, user/password recorded). The *Create/Save Ad Production Order* (function from the technical interface *IS-M/ITA*) is used to transfer the ad order data.
- An RFC connection has also been set up in the other direction between *IS-M/AMC Server* and *IS-M* (**connection 6**, user/password recorded). This is used to access data from *IS-M* for possible entries in the Customizing settings for *IS-M/AMC Server*.

Summary of Technical Structure

Connection Number	Client-Server Component		Log	User Type	Type of Data Transferred
	From	To			
1	<i>SAP GUI for Windows</i>	<i>IS-M</i>	DIAG	Dialog	User and password
2	<i>IS-M (CIC)</i>	<i>IS-M/AMC Server</i>	HTTP	Communication	<i>IS-M/AMC UI</i> (applet)
3	<i>IS-M/AMC UI</i>	<i>IS-M/AMC Server</i>	RFC	Dialog	Customizing and ad content
4	<i>IS-M/AMC UI</i>	<i>IS-M</i>	RFC	Communication	Graphics from the DMS and ad order
5	<i>IS-M</i>	<i>IS-M/AMC Server</i>	RFC	Communication	Ad order
6	<i>IS-M/AMC Server</i>	<i>IS-M</i>	RFC	Dialog	Data from <i>IS-M</i> for possible entries in <i>IS-M/AMC</i>

					Server
--	--	--	--	--	--------

For more information of a general nature on the technical system landscape, see the sources listed in the table below.

More Information About the Technical System Landscape

Theme	Guide/Tool	Availability/Title
Technical description <i>SAP for Media</i>	Master guide	in the <i>SAP Service Marketplace</i> under service.sap.com/instguides → <i>Installation & Upgrade Guides</i> → <i>Industry Solutions</i> → <i>Industry Solution Master Guides</i> → <i>SAP for Media</i> → <i>SAP for Media using SAP Media 4.72 - Master Guide</i>
Installation of <i>IS-M/AMC</i>	Note 763772	<i>Installation of SAP IS-M/AMC 1.0 on SAP Netweaver '04</i>
Installation of <i>IS-M/AMC</i>	Note 822111	<i>Support Packages for the Add-On SAP IS-M/AMC 1.0</i>
Installation <i>IS-M</i>	Note 706818	<i>Extensions to the Installation IS-M 4.72 R/3 Enterprise 470x200</i>
Configuration	Implementation Guide (IMG) for <i>Advertising Management for Classified Ads (SAP IS-M/AMC)</i> under <i>SAP Media</i> → <i>Advertising Management for Classified Ads</i> → <i>General Settings</i> . → <i>Set Up System</i> and → <i>Set up Users</i> and → <i>Define Authorizations</i>	<i>IMG for Advertising Management for Classified Ads</i>



User Administration and Authentication

The *Inbound Classified Ad Sales* scenario uses the *SAP NetWeaver AS ABAP* user administration and authentication mechanisms. Consequently, the security recommendations and guidelines for user management and authentication that are described in the [SAP NetWeaver Application Server ABAP Security Guide \[Extern\]](#) apply here.



User Administration

Use

Roles are supplied instead of users for the *Inbound Classified Ad Sales* scenario. You can define the users, which you are to create, by assigning authorizations on the basis of these roles (see also section [Authorizations \[Seite 11\]](#)). For more detailed information, see the IMG for *Advertising Management for Classified Ads (SAP IS-M/AMC)* under *SAP Media* → *Advertising Management for Classified Ads* → *General Settings* → *Set Up Users*.

User Administration Tools

The following table shows an overview of the user administration tools in the *Inbound Classified Ad Sales* scenario.

User Administration Tools

Tool	Exact Description	Details of Application
User administration for ABAP-based systems	Use <i>User Maintenance</i> (transaction SU01) for user administration for the <i>IS-M/AMC</i> and <i>IS-M</i> components.	User types involved: <ul style="list-style-type: none"> • Dialog users • Communication user See also the table <i>Summary of Technical Structure</i> in the Technical System Landscape [Seite 7] section.
Role editing using the profile generator for ABAP-based systems	Use the <i>Profile Generator</i> (transaction PFCG) to create roles and assign authorizations to users for the <i>IS-M/AMC</i> and <i>IS-M</i> components.	See also the roles and their assigned authorization objects listed in the Authorizations [Seite 11] section.

For more general information, see the following Security Guides in the **SAP Service Marketplace** under service.sap.com/securityguide:

- SAP NetWeaver '04 Security Guide
- SAP Web AS Security Guide - ABAP and Java



Integration into Single Sign-On Environments

Use

The *Inbound Classified Ad Sales* scenario only partially supports the Single Sign-On (SSO) mechanisms provided by *SAP NetWeaver AS ABAP*. They apply without restriction to the *IS-M/AMC Server* and *IS-M* components, but not however to *IS-M/AMC*. Consequently, the security recommendations and guidelines for user management and authentication that are described in the *SAP NetWeaver Application Server Security Guide* also apply here.

This means that this only affects connections 1 and 6 for the connections 1 to 6 listed in the graphic in the [Technical System Landscape \[Seite 7\]](#) section. In the interests of retaining a

clear overview, the connection between *SAP GUI for Windows* and *IS-M/AMC Server* (dialog connection, user/password entry), which is required for the Customizing settings and for which a SSO mechanism can also be set up, is not shown in the graphic. SSO is not possible for all other connections.

For more information on this, see the section [Communication Channel Security \[Seite 14\]](#).

For more information, see the SAP Service Marketplace under service.sap.com/securityguide → *SAP NetWeaver '04 Security Guide (Complete)* → *SAP NetWeaver '04 Security Guide* → *Security Guides for the SAP NetWeaver Products* → *SAP Web Application Server Security Guide* → *SAP Web AS Security Guide for ABAP Technology* → *User Authentication* → *Authentication and Single Sign-On* → *Secure Network Communications (SNC)*.



Authorizations

Use

The *Inbound Classified Ad Sales* scenario uses the *SAP NetWeaver AS* authorization concepts. Consequently, the security recommendations and guidelines for authorizations that are described in the security guide for *SAP NetWeaver AS ABAP* also apply to this scenario.

The *SAP NetWeaver AS* authorization concept is based on assigning authorizations to users based on roles. Use the *Profile Generator* (transaction PFCG) for role editing in *SAP NetWeaver AS ABAP*.

Standard Roles

The following table shows the standard roles that are used by the *Inbound Classified Ad Sales* scenario.

Standard Roles

Role	Defined in Component	Description of Role
SAP_ISM_MAMC_BASIC_USER	<i>IS-M/AMC Server</i>	General operational functions for Advertising Management
SAP_ISM_MAMC_RFC_USER	<i>IS-M/AMC Server</i>	Anonymous logon to <i>IS-M/AMC Server</i>
SAP_ISM_ISMAMCUI_RFC_USER	<i>IS-M</i>	<i>IS-M/AMC UI</i> logon to <i>IS-M/AMC Server</i>
SAP_ISM_ISMAMC_F4_RFC_USER	<i>IS-M</i>	<i>IS-M/AMC Server</i> logon to <i>IS-M</i> for possible entries data
SAP_ISM_MAM_BASIC_USER	<i>IS-M</i>	General operational functions for Advertising Management
SAP_CS_CI_AGENT	<i>IS-M</i>	<i>CIC</i> (Front Office)

Standard Authorization Objects

The table below shows the security-relevant authorization objects that are used by the *Inbound Classified Ad Sales* scenario in the roles supplied. The standard authorization objects S_TCODE or S_RFC can also be incorporated in the respective roles (some of these are shown in the table below).

Standard Authorization Objects

Role	Authorization Object	Description of Authorization Object
SAP_ISM_MAMC_BASIC_USER	J_QADC	Create, change, or display ad content
	J_QACTION	Admissible actions in IS-M/AMC Server
	J_QCONFERR	Authorization to confirm an error when an ad content error is checked.
SAP_ISM_MAMC_RFC_USER	J_QADC	Create, change, or display ad content
SAP_ISM_ISMAMCUI_RFC_USER	J_DOC_MAN	Documents for the business object (Display)
	S_RFC	Authorization check for RFC access
SAP_ISM_ISMAMC_F4_RFC_USER	S_RFC	Authorization check for RFC access
SAP_ISM_MAM_BASIC_USER	Standard	IS-M/AMC authorization object
SAP_CS_CI_AGENT	Standard	IS-M/AMC authorization object

Users and Authorizations

The tables below show the roles required for the respective users to be set up and link to their documentation. For more information see [Technical System Landscape \[Seite 7\]](#).

A distinction is made between **general users** and **technical users**. Roles for general users are generally used as a copying template, and are modified according to the activity of the individual user and then assigned to this user. A technical user only appears once in the system and can be copied without being modified.

Communication Destinations for General Users

Connection Number	Target System	Type	Role(s)	Description in the IMG for <i>Advertising Management for Classified Ads (SAP IS-M/AMC)</i> under <i>SAP Media</i> → <i>Advertising Management for Classified Ads</i> → <i>General Settings</i>
1	IS-M	Dialog	SAP_ISM_MAM_BASIC_USER SAP_CS_CI_AGENT	→ Set up Users
3	IS-M/AMC Server	Dialog	SAP_ISM_MAMC_BASIC_USER	→ Set up Users and

				→ <i>Define Authorizations</i>
6	<i>IS-M</i>	Dialog	SAP_ISM_ISMA MC_F4_RFC_U SER	→ <i>Set up Users</i>

Communication Destinations for Technical Users

Connection Number	Target System	Type	Role	Description in the IMG for Advertising Management for Classified Ads (SAP IS-M/AMC) under SAP Media → Advertising Management for Classified Ads → General Settings
2	<i>IS-M/AMC Server</i>	Communication	SAP_ISM_MAM C_RFC_USER	→ <i>Set Up System</i>
4	<i>IS-M</i>	Communication	SAP_ISM_ISMA MCUI_RFC_US ER	→ <i>Set Up System</i>
5	<i>IS-M/AMC Server</i>	Communication	SAP_ISM_MAM C_RFC_USER	→ <i>Set Up System</i>



Network and Communication Security

Use

The network topology for the *Inbound Classified Ad Sales* scenario is based on the topology used by the SAP NetWeaver platform. Therefore, the security guidelines and recommendations described in the *SAP NetWeaver* or *SAP NetWeaver AS* security guide also apply to this scenario. Details that specifically apply to the *Inbound Classified Ad Sales* scenario are described in the following topics:

For more information, see the following sections in the *SAP NetWeaver* or *SAP NetWeaver AS* security guide:

- [Network Infrastructure \[Extern\]](#)
- *Security Aspects for Connectivity and Interoperability*



Communication Channel Security

Use

The table below shows the communication paths used by the *Inbound Classified Ad Sales* scenario and the option of protecting the data transferred. For more information see [Technical System Landscape \[Seite 7\]](#).

Communication Paths

Connection Number	Communication Path	Log	Data Transferred	To be Protected	Protected by
1	SAP GUI for Windows for IS-M	DIAG	User and password	Data, password	SNC, SSO
2	IS-M for IS-M/AMC Server	HTTP	IS-M/AMC UI (applet)	Data	Secure Sockets Layer (SSL)
3	IS-M/AMC UI for IS-M/AMC Server (SAP Java Connector)	RFC	Customizing and ad content	Data, password	SNC
4	IS-M/AMC UI for IS-M	RFC	Graphics from the DMS and ad order	Data	SNC
5	IS-M for IS-M/AMC Server	RFC	Ad order	Data	SNC
6	IS-M/AMC Server for IS-M	RFC	Data from IS-M for possible entries in IS-M/AMC Server	Data	SNC, SSO

For detailed information on activating the SNC, see the SNC user guide in the *SAP Service Marketplace* under service.sap.com/securityguide *Infrastructure Security* → *Secure System Management*.

In addition to setting up the SNC, encryption of the connections between *IS-M/AMC UI* and *IS-M/AMC Server* (3) and *IS-M* (4) also requires some SNC parameters to be transferred to the *IS-M/AMC-UI-start* parameters. These are the parameters that *IS-M/AMC UI* uses to log on to *IS-M/AMC Server*. This involves the following parameters:

- SNC_MODE (SNC activation level)
- SNC_LIB (path and file name for the external library for the security product)
- SNC_QOP (level of security requested - *Quality of Protection*)

The exact syntax for the parameter transfer is found in the template file *startup.properties* supplied in *IS-M/AMC UI*. Parameters are used for both connections. This means that it is not possible to encrypt connection 3 using SNC but not encrypt connection 4. These parameters are optional. This means that they can also be omitted. SNC is not used for connections 3 and 4 in this case.

Note that encryption with SNC requires additional encryption and transfer activities, and can therefore have a negative impact on overall system performance.

For more information on SNC and SSL, see the *SAP Service Marketplace* under service.sap.com/securityguide in the *Network and Communication Security* → *Transport Layer Security* section in the *SAP NetWeaver '04 Security Guide*.



Data Storage Security

Use

The *Inbound Classified Ad Sales* scenario can be used to enter ad content data in a file system or import it from this system.

In *IS-M/AMC Server* this is possible in Customizing for:

- CMYK color profile
- Fonts
- Templates

(See the Implementation Guide (IMG) for *Advertising Management for Classified Ads (SAP IS-M/AMC) under SAP Media* → *Advertising Management for Classified Ads* → *Define Colors* or → *Define Fonts* or → *Define Templates*.)

You can save complete ad content in a file system and then import it from here from *IS-M/AMC UI*.

When this data is imported (upload), you can incorporate a virus scanner in both *IS-M/AMC Server (ABAP)* and *IS-M/AMC UI (Java)*. For more information about virus protection at SAP, see

- security.wdf.sap.corp:1080/public/projects/VirusScanning
- *SAP Service Marketplace* under help.sap.com/nw04 → *SAP NetWeaver '04 (German)* → *SAP Library* → *SAP NetWeaver* → *Security* → *System Security* → *Virus Scan Interface*
- Note 639486 (anti virus protection within SAP applications)

Ensure that the storage location you are using is protected against unauthorized access.