

# IS-Media – Order Management Table Relationships



## Applies to:

SAP ECC 6.0

## Summary

This document provides important table relationships of IS-Media Order Management module. The document is intended as a quick reference for IS-Media developers to quickly identify the linkages between various tables in Order Management module

**Author:** Sachin Thadani

**Company:** SAP

**Created on:** 18 –May- 2011

## Author Bio



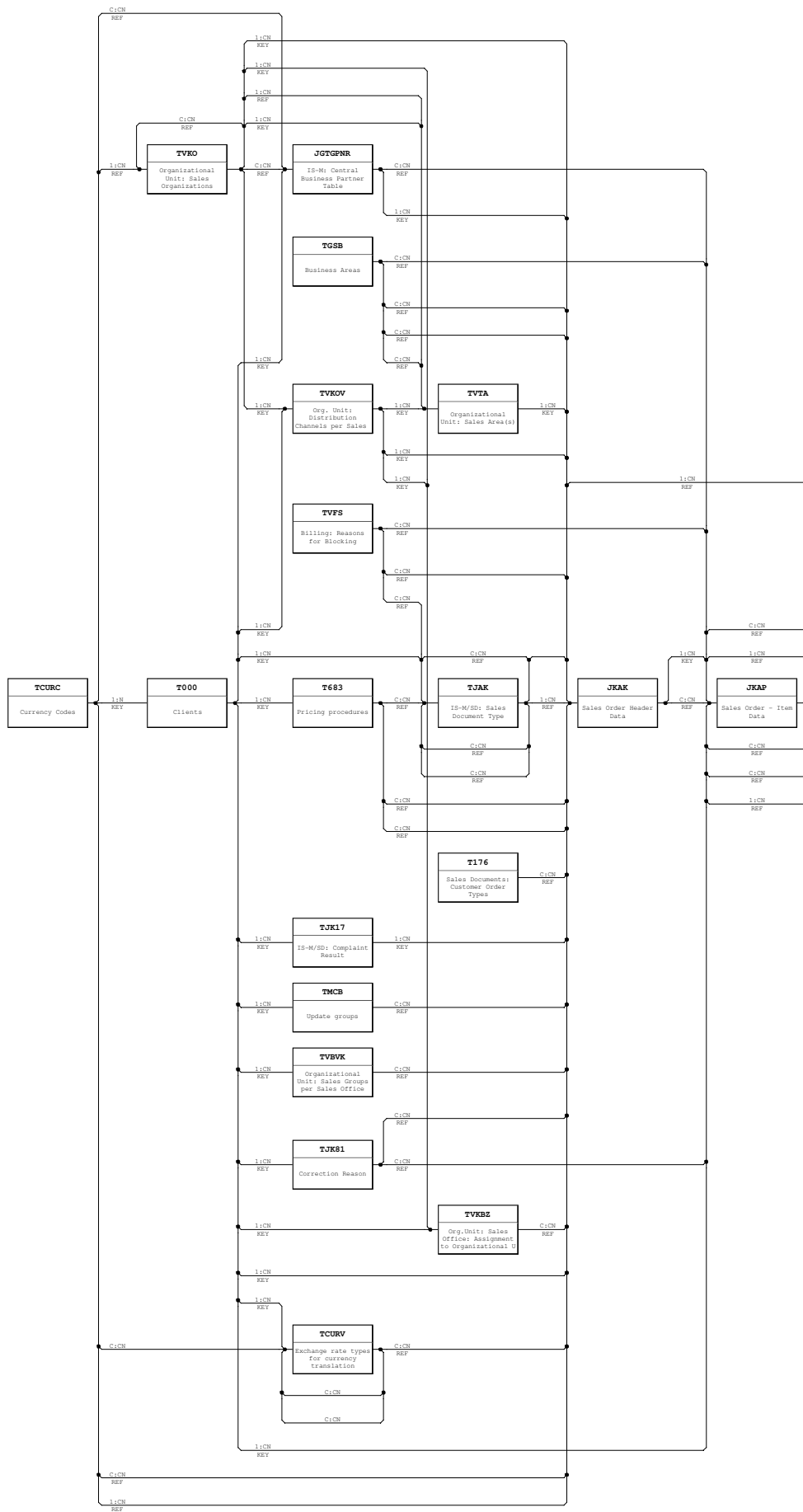
Sachin Thadani is a Consultant working for SAP GD

## Table of Contents

Order Management Important Table Relationships Diagram .....	3
Relationship of Table JKAK (IS-M Order Header) with other Tables .....	4
Relationship of Table JKAP with other Tables.....	5
Relationship of Table JKPA with other Tables.....	6
Relationship of Table JKEP with other Tables.....	7
Relationship of Table JKKD with other Tables.....	8
Relationship of Table JKGIFT with other Tables .....	9
Relationship of Table JKPROM with other Tables.....	10
Relationship of Table JVTLFNG with other Tables.....	11
Relationship of Table JVTLFZUO with other Tables .....	12
Copyright .....	13



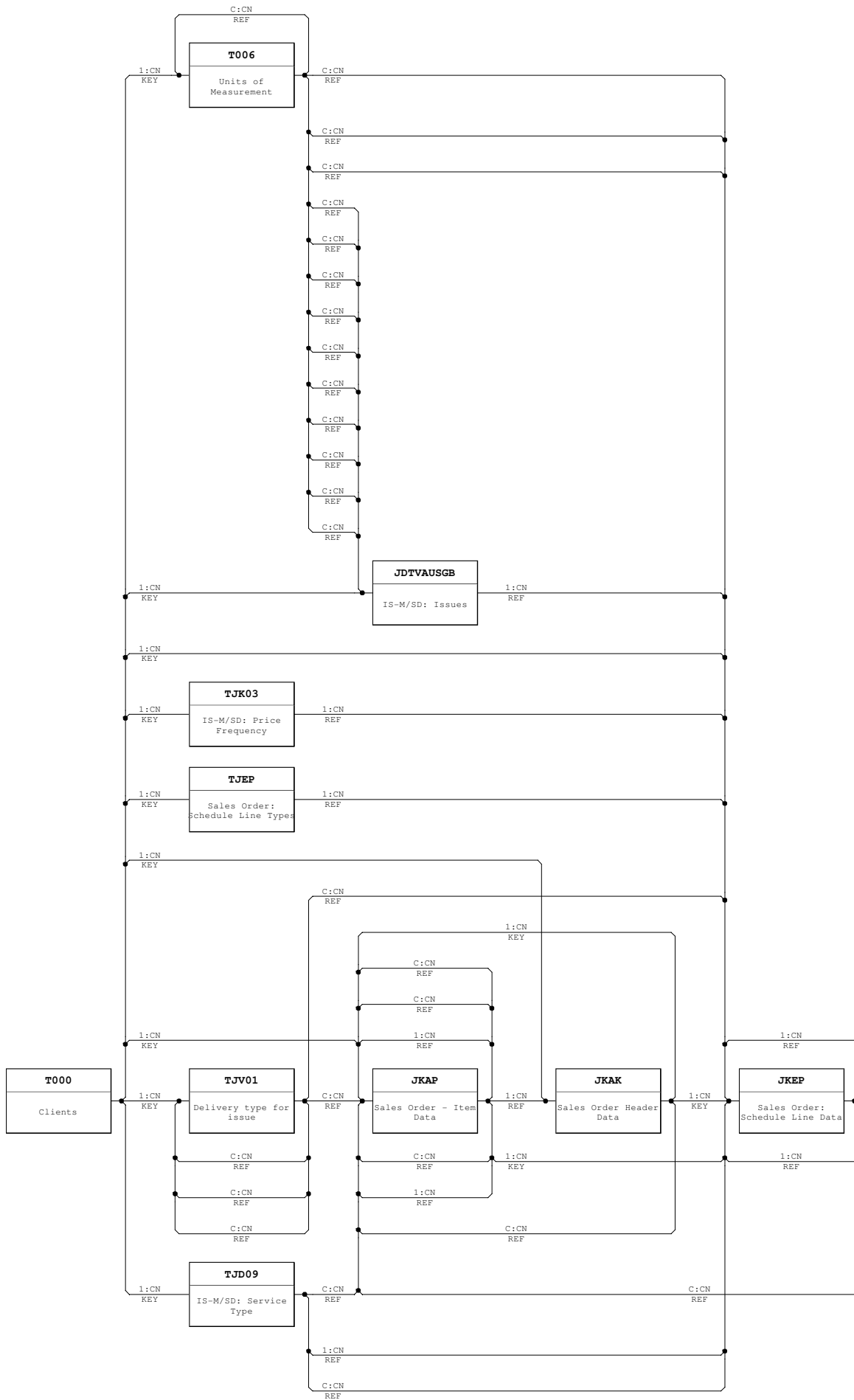
## Relationship of Table JKAK with other tables



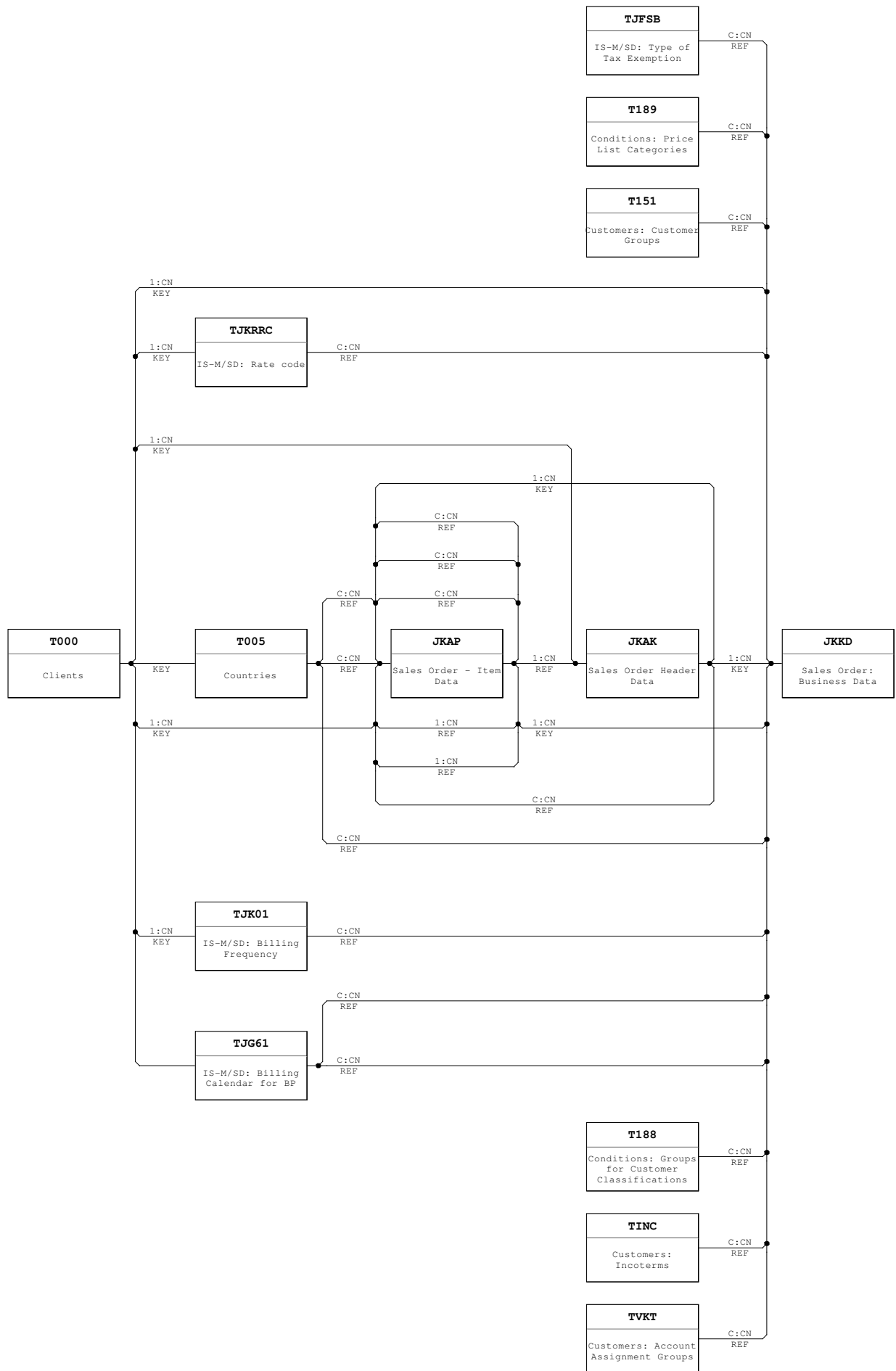




## Relationship of Table JKEP with other tables

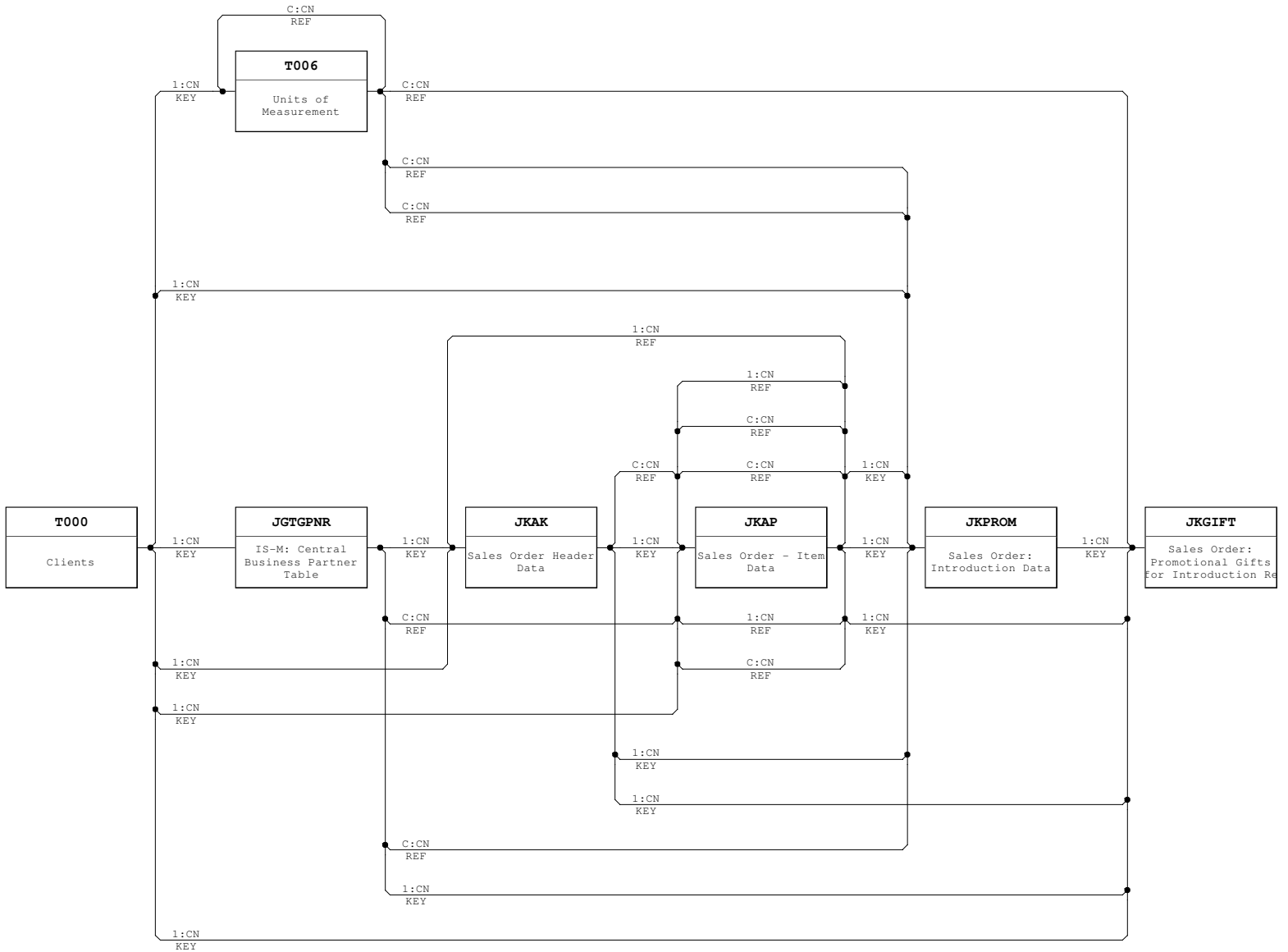


# Relationship of Table JKKD with other tables

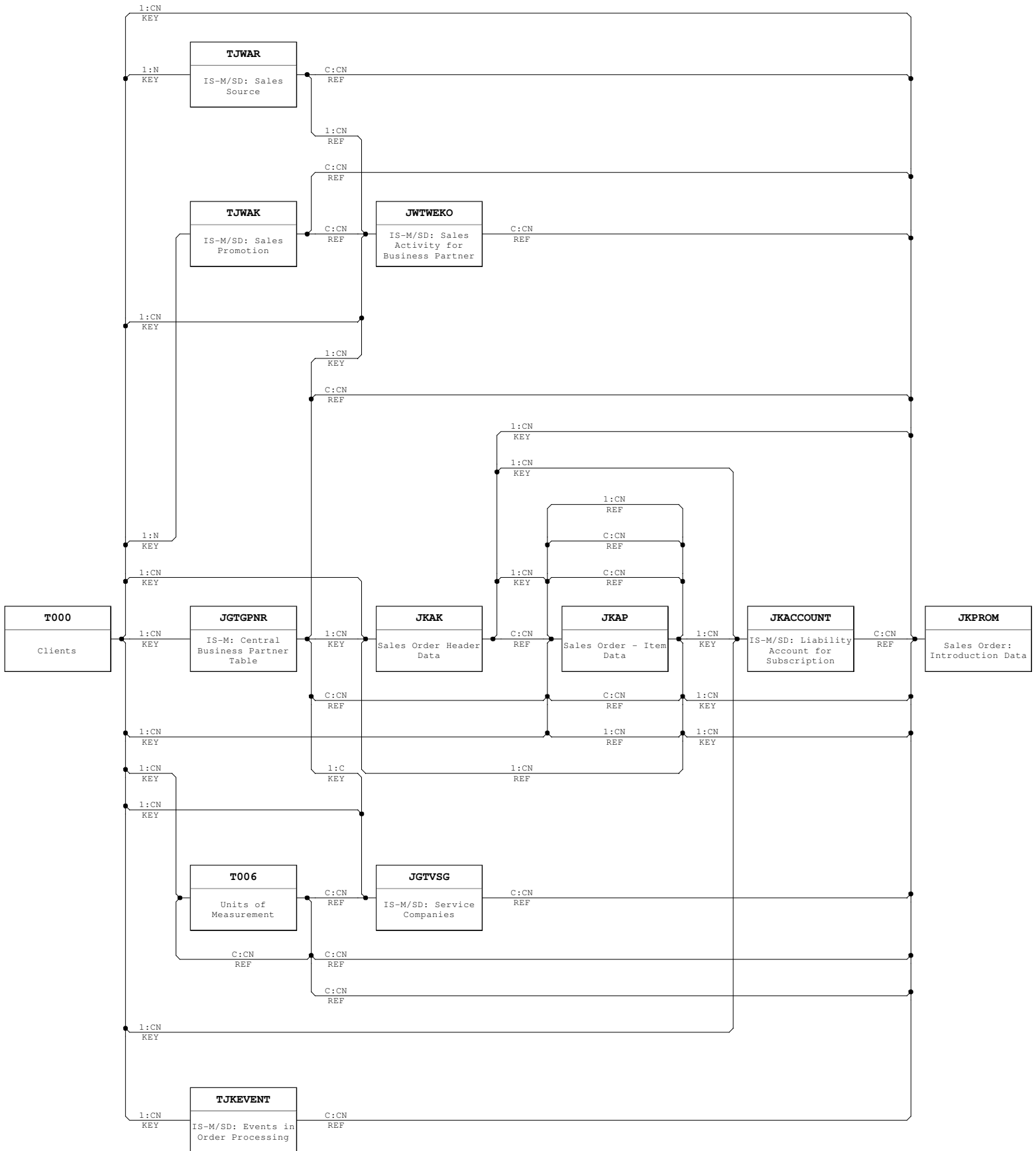




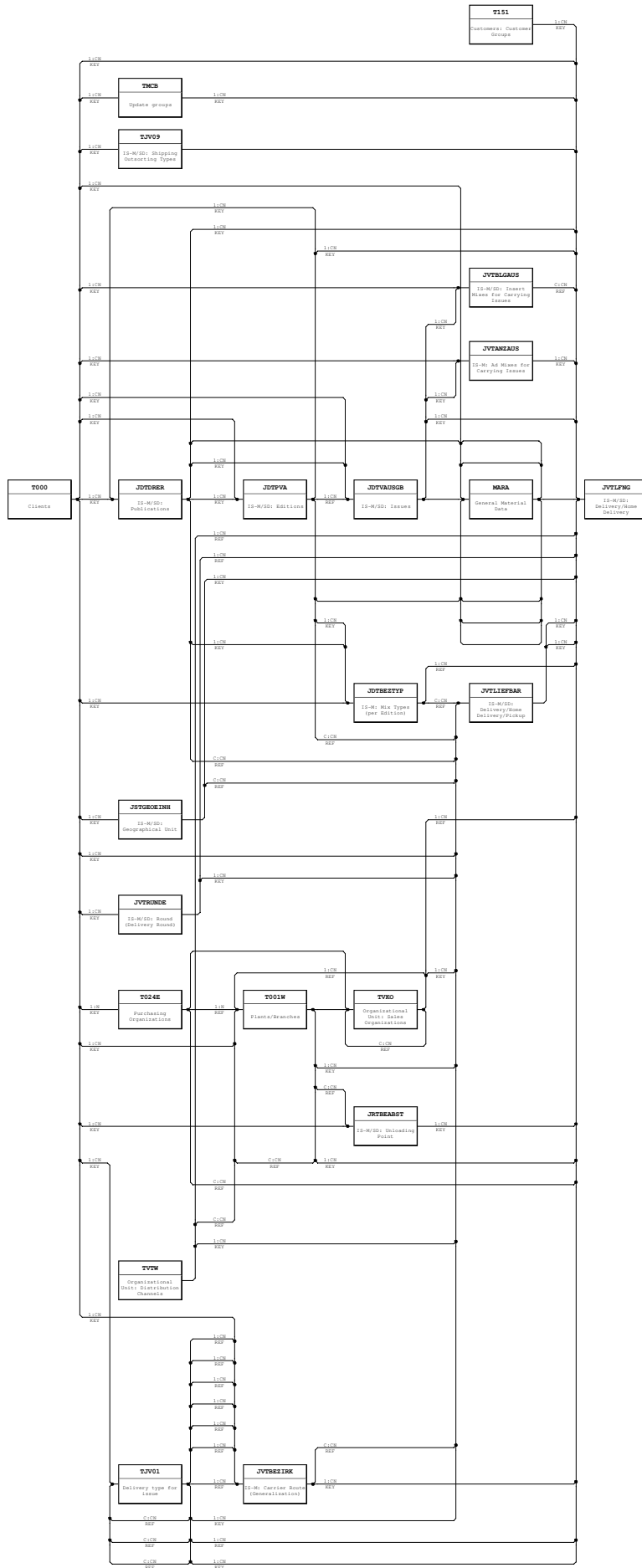
## Relationship of Table JKGIFT with other tables



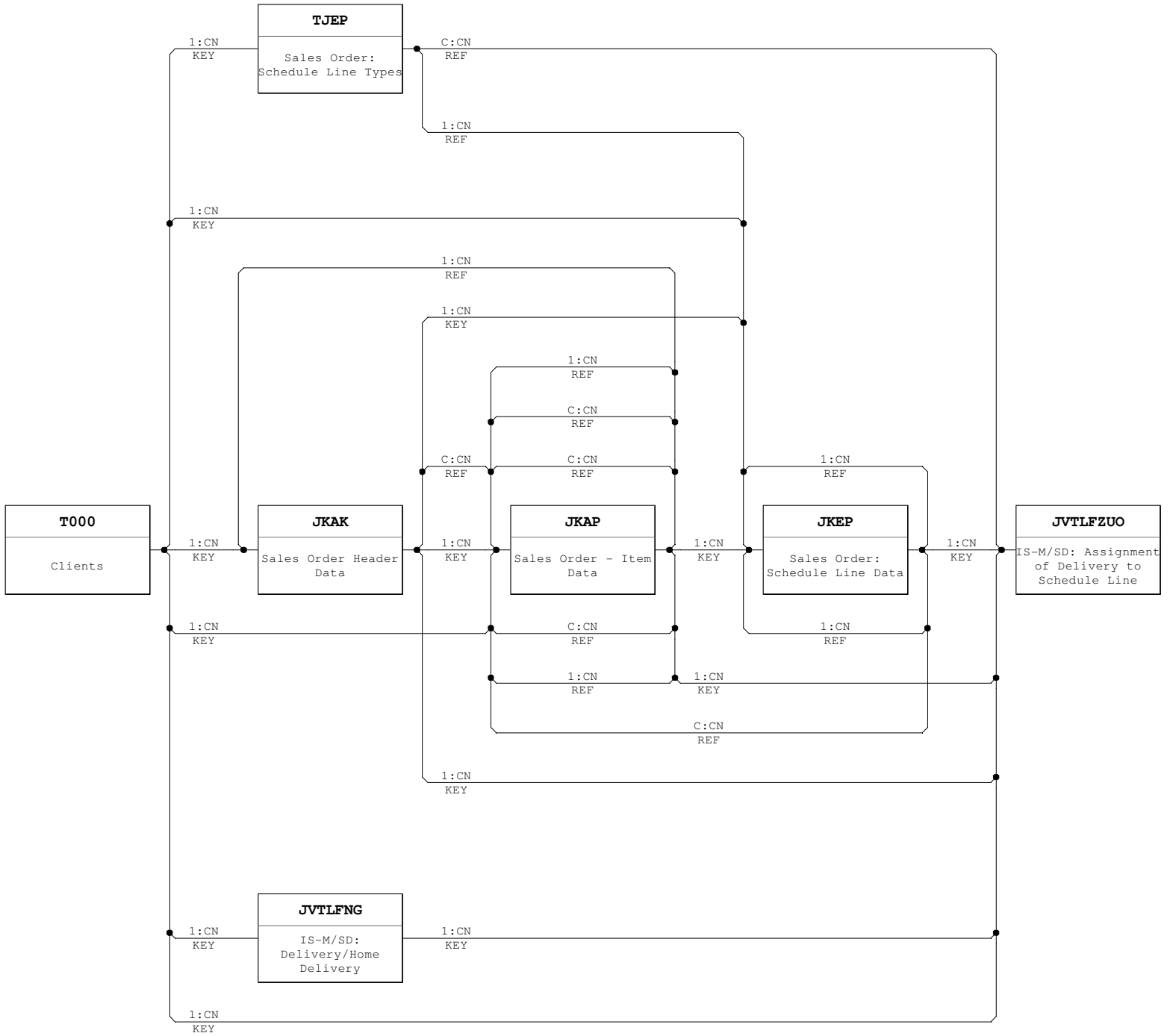
## Relationship of Table JKPROM with other tables



# Relationship of Table JVTLFNG with other tables



## Relationship of Table JVTLFZUO with other tables



## Copyright

© Copyright 2011 SAP AG. All rights reserved.

No part of this publication may be reproduced or transmitted in any form or for any purpose without the express permission of SAP AG. The information contained herein may be changed without prior notice.

Some software products marketed by SAP AG and its distributors contain proprietary software components of other software vendors.

Microsoft, Windows, Excel, Outlook, and PowerPoint are registered trademarks of Microsoft Corporation.

IBM, DB2, DB2 Universal Database, System i, System i5, System p, System p5, System x, System z, System z10, System z9, z10, z9, iSeries, pSeries, xSeries, zSeries, eServer, z/VM, z/OS, i5/OS, S/390, OS/390, OS/400, AS/400, S/390 Parallel Enterprise Server, PowerVM, Power Architecture, POWER6+, POWER6, POWER5+, POWER5, POWER, OpenPower, PowerPC, BatchPipes, BladeCenter, System Storage, GPFS, HACMP, RETAIN, DB2 Connect, RACF, Redbooks, OS/2, Parallel Sysplex, MVS/ESA, AIX, Intelligent Miner, WebSphere, Netfinity, Tivoli and Informix are trademarks or registered trademarks of IBM Corporation.

Linux is the registered trademark of Linus Torvalds in the U.S. and other countries.

Adobe, the Adobe logo, Acrobat, PostScript, and Reader are either trademarks or registered trademarks of Adobe Systems Incorporated in the United States and/or other countries.

Oracle is a registered trademark of Oracle Corporation.

UNIX, X/Open, OSF/1, and Motif are registered trademarks of the Open Group.

Citrix, ICA, Program Neighborhood, MetaFrame, WinFrame, VideoFrame, and MultiWin are trademarks or registered trademarks of Citrix Systems, Inc.

HTML, XML, XHTML and W3C are trademarks or registered trademarks of W3C®, World Wide Web Consortium, Massachusetts Institute of Technology.

Java is a registered trademark of Sun Microsystems, Inc.

JavaScript is a registered trademark of Sun Microsystems, Inc., used under license for technology invented and implemented by Netscape.

SAP, R/3, SAP NetWeaver, Duet, PartnerEdge, ByDesign, SAP Business ByDesign, and other SAP products and services mentioned herein as well as their respective logos are trademarks or registered trademarks of SAP AG in Germany and other countries.

Business Objects and the Business Objects logo, BusinessObjects, Crystal Reports, Crystal Decisions, Web Intelligence, Xcelsius, and other Business Objects products and services mentioned herein as well as their respective logos are trademarks or registered trademarks of Business Objects S.A. in the United States and in other countries. Business Objects is an SAP company.

All other product and service names mentioned are the trademarks of their respective companies. Data contained in this document serves informational purposes only. National product specifications may vary.

These materials are subject to change without notice. These materials are provided by SAP AG and its affiliated companies ("SAP Group") for informational purposes only, without representation or warranty of any kind, and SAP Group shall not be liable for errors or omissions with respect to the materials. The only warranties for SAP Group products and services are those that are set forth in the express warranty statements accompanying such products and services, if any. Nothing herein should be construed as constituting an additional warranty.